

Copyright © 2012, Midwestern Consulting L.L.C. All rights reserved. No part of this drawing may be used or reproduced in any form or by any means, without prior permission of Midwestern Consulting L.L.C.

Midwestern Lighting Systems East
MLS EAST
 Job Name: BLD-ARE-T3-DA-102-LED-B-UL-BZ-F-525
 Catalog Number: BLD-ARE-T3-DA-102-LED-B-UL-BZ-F-525
 Type: SLA35'
 Date: 08/29/12

BLD-ARE-T3-DA The Edge™ LED Area Light - Type III

Notes:
 1. See Notes on Drawing.
 2. See Notes on Drawing.
 3. See Notes on Drawing.

Product Family: The Edge™
 Product Model: The Edge™ LED Area Light - Type III
 Product Code: BLD-ARE-T3-DA-102-LED-B-UL-BZ-F-525
 Product Description: The Edge™ LED Area Light - Type III is a high-performance, energy-efficient lighting fixture designed for outdoor use. It features a rugged, weather-resistant housing and a long-life LED light source. The fixture is available in various mounting heights and configurations to suit different applications.

Output Multiplier	Color	Beam Angle	Beam Diameter	Beam Length	Beam Spread	Beam Diameter at 100'
1.00	White	30°	30"	100'	100'	100'
1.50	White	30°	30"	150'	150'	150'
2.00	White	30°	30"	200'	200'	200'
2.50	White	30°	30"	250'	250'	250'
3.00	White	30°	30"	300'	300'	300'
3.50	White	30°	30"	350'	350'	350'
4.00	White	30°	30"	400'	400'	400'
4.50	White	30°	30"	450'	450'	450'
5.00	White	30°	30"	500'	500'	500'
5.50	White	30°	30"	550'	550'	550'
6.00	White	30°	30"	600'	600'	600'
6.50	White	30°	30"	650'	650'	650'
7.00	White	30°	30"	700'	700'	700'
7.50	White	30°	30"	750'	750'	750'
8.00	White	30°	30"	800'	800'	800'
8.50	White	30°	30"	850'	850'	850'
9.00	White	30°	30"	900'	900'	900'
9.50	White	30°	30"	950'	950'	950'
10.00	White	30°	30"	1000'	1000'	1000'

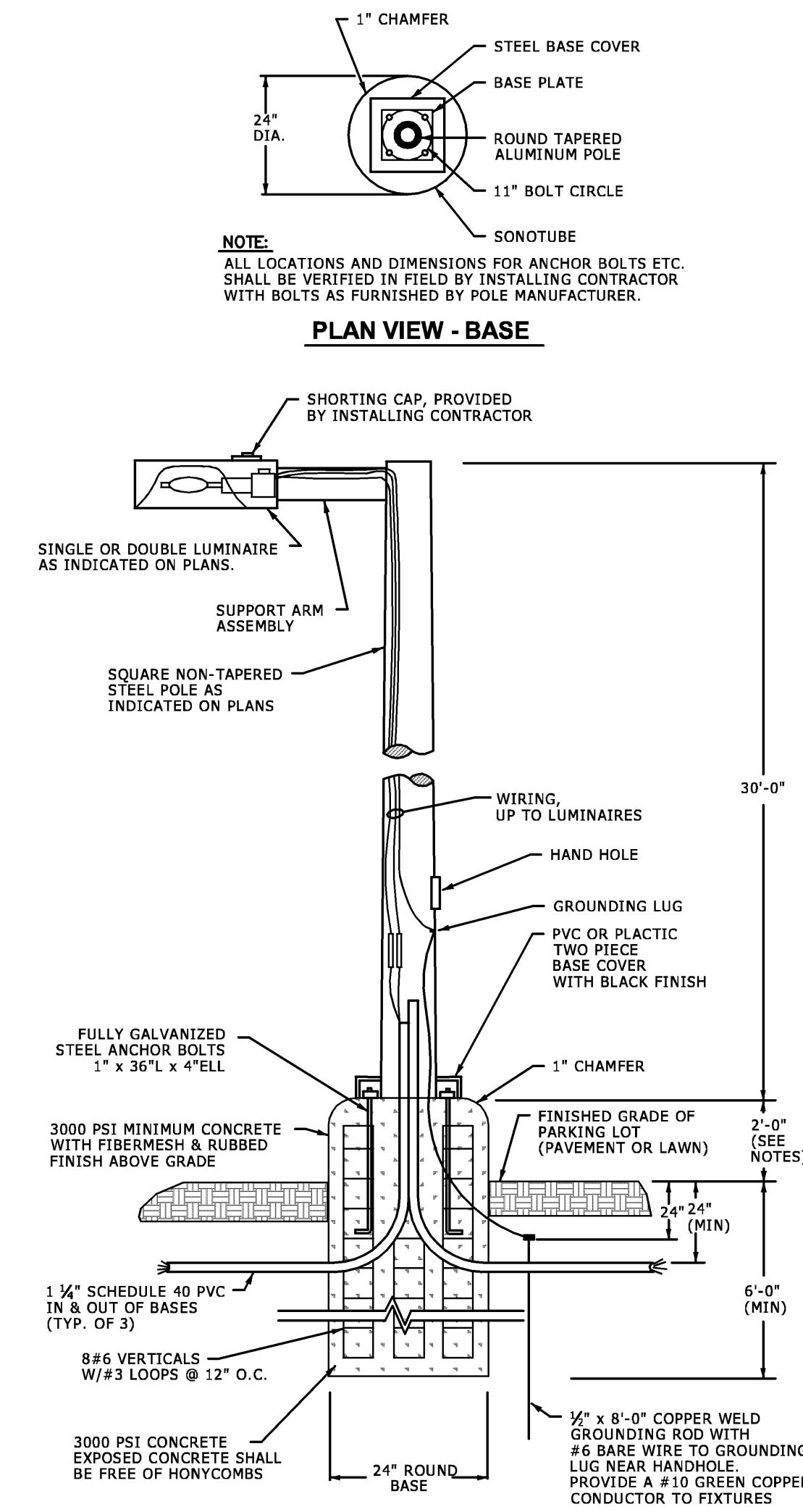
Midwestern Lighting Systems East
MLS EAST
 Job Name: WASHTENAW COUNTY JAIL #14.4 ELEVATED COURT - 10A COURT COURT (SEE SHEET)
 Catalog Number: SSP25-5.0-11-KZ13-DM10-BC
 Type: SLA25'
 Date: 08/29/12

SSP Square Non-Tapered Steel Poles

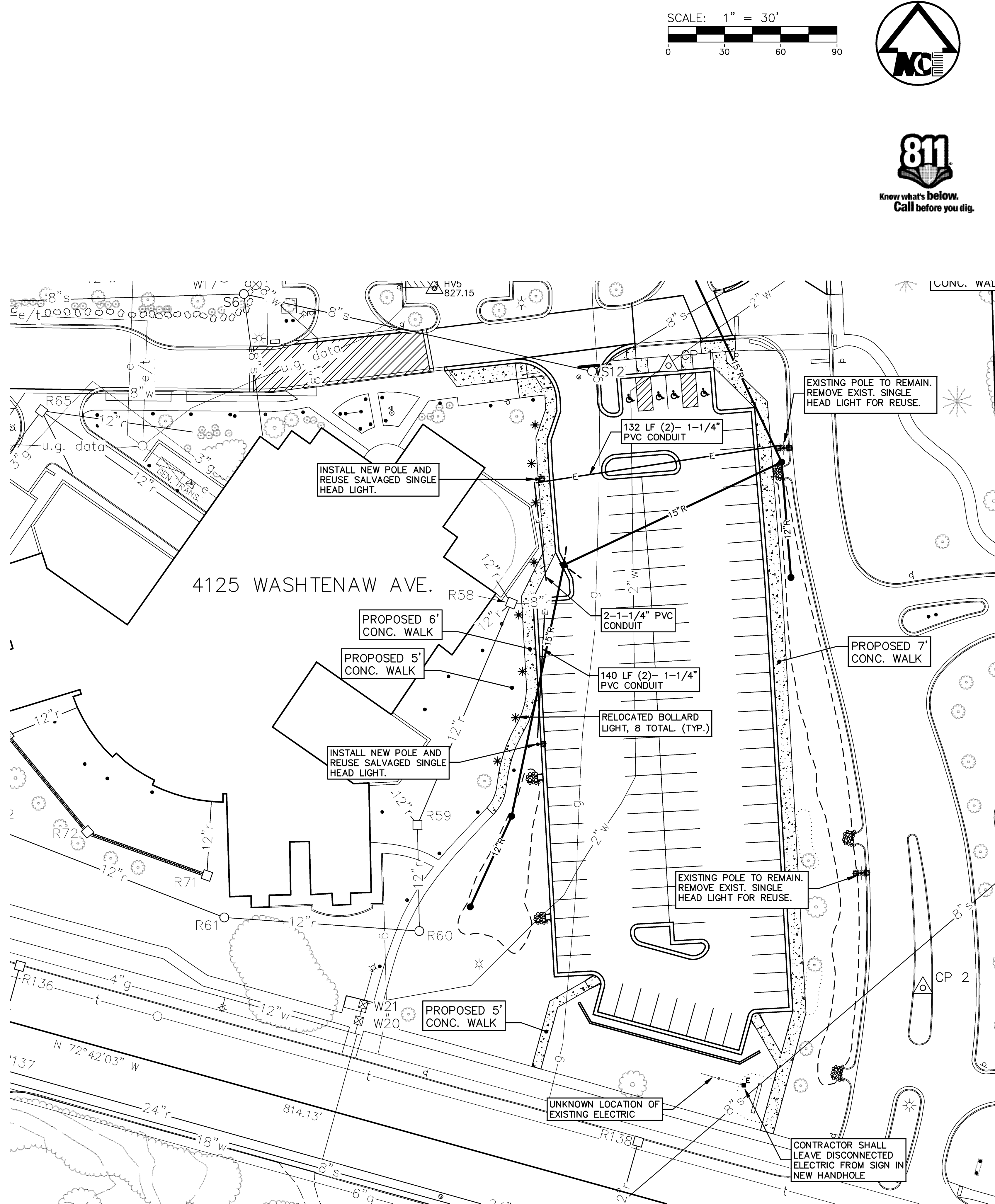
Notes:
 1. See Notes on Drawing.
 2. See Notes on Drawing.
 3. See Notes on Drawing.

Product Family: SSP
 Product Model: Square Non-Tapered Steel Pole
 Product Code: SSP25-5.0-11-KZ13-DM10-BC
 Product Description: The SSP Square Non-Tapered Steel Pole is a high-strength, weather-resistant pole designed for outdoor use. It features a square cross-section and is available in various heights and configurations to suit different applications.

Type	Height (ft.)	Base Diameter (in.)	Base Diameter (ft.)	Height (ft.)	Base Diameter (in.)	Base Diameter (ft.)	Height (ft.)	Base Diameter (in.)	Base Diameter (ft.)
SLA25'	25	5.0	25.0	11	3.5	3.5	11	3.5	3.5



Notes:
 1. DOUBLE LIGHT FIXTURE MODEL TO BE USED IS: BETA ARE-ED6-3M-DL-12-D-UL-BZ-F-525.
 2. CONTRACTOR TO PROVIDE WIRING TO SERVICE NEW LIGHT POLES.



MIDWESTERN CONSULTING
 Civil, Environmental and Transportation Engineers
 Planners, Surveyors
 Landscape Architects
 3815 Plaza Drive
 Ann Arbor, Michigan 48108
 Phone: 734.995.0200
 Fax: 734.995.0599

WASHTENAW CO. SERVICE CENTER
 PARKING LOT IMPROVEMENTS
 PROPOSED LIGHTING PLAN

DATE: 7-13-12
 SHEET: 21 OF 21
 REV. DATE REV. BY
 08-08-12 CAD: WAJ
 05-01-13 ENR: JCA
 05-01-13 ENR: SWB
 05-01-13 ENR: SWB

JOB NO. 12068
 PER. MICHAEL
 REV. JACOB
 PER. MICHAEL

The underground utilities shown have been located from field survey information and existing records. The surveyor makes no guarantees that the underground utilities shown comprise all such utilities in the area, either in-service or abandoned. The surveyor further does not warrant that the underground utilities shown are in the exact location indicated. Although the surveyor does certify that they are located as accurately as possible from the information available.